



## Royal® Model Flushometer

137  
137-2.4  
137-1.6

### ► Description

Exposed Water Closet Flushometer, for back inlet squat toilets.

### ► Flush Cycle

- Model 137 Water Saver (3.5 gpf/13.2 Lpf)
- Model 137-2.4 (2.4 gpf/9.0 Lpf)
- Model 137-1.6 Low Consumption (1.6 gpf/6.0 Lpf)

### ► Specifications

Quiet, Exposed, Diaphragm Type, Chrome Plated Closet Flushometer with the following features:

- PERMEX™ Synthetic Rubber Diaphragm with Dual Filtered Fixed Bypass
- ADA Compliant Metal Oscillating Non-Hold-Open Handle with Triple Seal Handle Packing
- 1" I.P.S. Screwdriver Bak-Chek™ Angle Stop
- Free Spinning Vandal Resistant Stop Cap
- Adjustable Tailpiece
- High Back Pressure Vacuum Breaker Flush Connection with One-piece Bottom Hex Coupling Nut
- Sweat Solder Adapter with Cover Tube and Cast Set Screw Wall Flange
- High Copper, Low Zinc Brass Castings for Dezincification Resistance
- Non-Hold-Open Handle, Fixed Metering Bypass and No External Volume Adjustment to Ensure Water Conservation
- Flush Accuracy Controlled by CID™ Technology
- Diaphragm, Handle Packing, Stop Seat and Vacuum Breaker to be molded from PERMEX™ Rubber Compound for Chloramine Resistance

Valve Body, Cover, Tailpiece and Control Stop shall be in conformance with ASTM Alloy Classification for Semi-Red Brass. Valve shall be in compliance to the applicable sections of ASSE 1037, ANSI/ASME 112.19.6, and Military Specification V-29193.

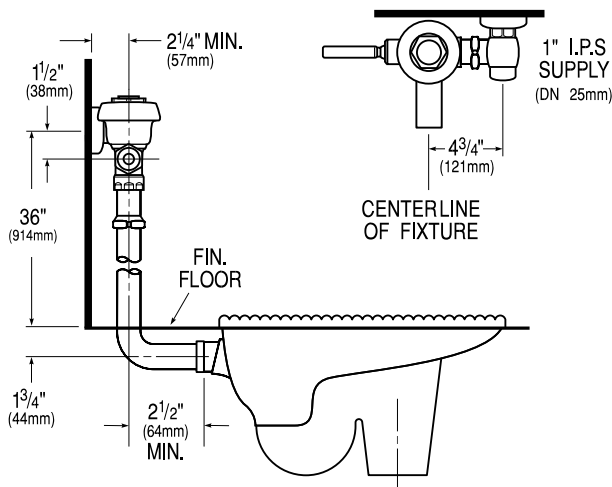
### ► Variations

- U** 1 1/4" Flush Connection
- XYV** Less Vacuum Breaker
- YJ** Split Ring Pipe Support
- YK** Solid Ring Pipe Support

See Accessories Section of the Sloan catalog for details on these and other Flushometer variations.



Listed by I.A.P.M.O.



This space for Architect/Engineer approval

The information contained in this document is subject to change without notice.

**SLOAN**®

Made in the U.S.A.

SLOAN VALVE COMPANY • 10500 SEYMOUR AVE. • FRANKLIN PARK, IL. 60131  
Ph: 1-800-9-VALVE-9 or 1-847-671-4300 • Fax: 1-800-447-8329 or 1-847-671-4380

<http://www.sloanvalve.com>